



GARDEN AND POETRY
2022.01

inverlight[®]
STAINLESS LIGHTING SOLUTIONS







LED 3,6W / 360lm / 220-240V / H 160mm

CHF1 ■ ■ ■ ■

LED 3,6W / 360lm / 220-240V / H 300mm

CHF2 ■ ■ ■ ■

Accessories

ZA003 Cement mounting kit

■ LED color

1 2200 K

2 2700 K

3 3000 K

Finishing

IN Inox

BT Browntech

NB Naturalblack

Chaparral

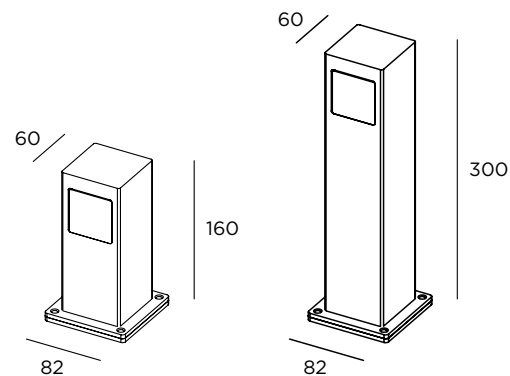
CE LED IP65 IK08 220-240V

Stainless steel AISI 316L

Fixing to the ground

Indirect light downwards

Transparent glass diffuser



inverlight
FRANCESCO CASARINO SOCIETÀS P.A.S.

via P. Stucchi, 2 \ 20872 Cornate d'Adda (MB) Italy

tel. +39 039 6060754

www.inverlight.it \ info@inverlight.it