

GIARDINO E POESIA
2019

inverlight[®]
STAINLESS LIGHTING SOLUTIONS



Casta diva wall





E27 / 220-240V / 220 x 140 x H 400 mm

CDDR1H1 **IN** Inox
CDDR1H1 **BT** Browntech
CDDR1H1 **NB** Naturalblack

4W / 400lm / 220-240V / 220 x 140 x H 400 mm

CDDR2H1 ■ **IN** Inox
CDDR2H1 ■ **BT** Browntech
CDDR2H1 ■ **NB** Naturalblack

E27 / 220-240V / 165 x 112 x H 320 mm

CDDR1H2 **IN** Inox
CDDR1H2 **BT** Browntech
CDDR1H2 **NB** Naturalblack

4W / 400lm / 220-240V / 165 x 112 x H 320 mm

CDDR2H2 ■ **IN** Inox
CDDR2H2 ■ **BT** Browntech
CDDR2H2 ■ **NB** Naturalblack

E27 / 220-240V / 165 x 112 x H 400 mm

CDDR1H3 **IN** Inox
CDDR1H3 **BT** Browntech
CDDR1H3 **NB** Naturalblack

4W / 400lm / 220-240V / 165 x 112 x H 400 mm

CDDR2H3 ■ **IN** Inox
CDDR2H3 ■ **BT** Browntech
CDDR2H3 ■ **NB** Naturalblack

■ colore LED

- 1** 2200 K
- 2** 2700 K
- 3** 3000 K

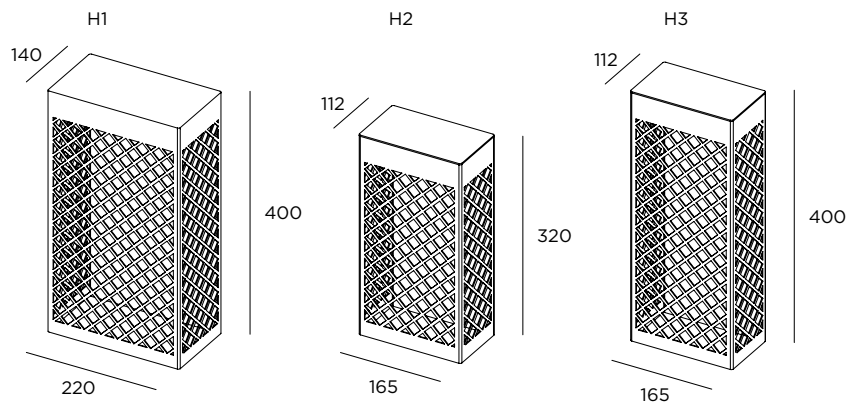
Casta diva wall R1

CE LED IP65 IK08 220-240V

Acciaio inox AISI 316L

Fissaggio a muro

Diffusore policarbonato opale





inverlight
FRANCESCO CASOTTINO SOCIETÀS P.A.S.

via P. Stucchi, 2 \ 20872 Cornate d'Adda (MB) Italy

tel. +39 039 6060754

www.inverlight.it \ info@inverlight.it